



ECO^{PLUS} Price list 2019

Table of contents

| | |
|--|----|
| Specifications | 3 |
| ECO ^{PLUS} series glass columns, AB-version, short plungers | 4 |
| ECO ^{PLUS} series glass columns, AB-version, short/long plunger | 5 |
| ECO ^{PLUS} series glass columns, AB-version, long plungers | 6 |
| ECO ^{PLUS} series glass columns, SR-version, short plunger | 7 |
| ECO ^{PLUS} series glass columns, SR-version, short/long plunger | 8 |
| ECO ^{PLUS} series glass columns, SR-version, long plunger | 9 |
| | |
| Accessories | 10 |
| | |
| Packing adapters | 11 |
| Drawing ECO ^{PLUS} glass columns | 12 |
| | |
| Spare parts for ECO ^{PLUS} series glass columns | |
| | |
| ECO ^{PLUS} glass bodies | 13 |
| ECO ^{PLUS} O-ring, EPDM, for AB-version | 13 |
| Plungers, polyethylene, for AB-version (incl. O-ring; w/o frit) | 13 |
| Plungers, PTFE, for SR-version (w/o frit) | 13 |
| Frit | 14 |
| Additional spare parts | 14 |

Specifications

Aqueous buffer (AB) - version

| | |
|-------------------|---|
| Temperature range | 4 - 40 °C |
| Plunger | PE (polyethylene) |
| Sealing | O-ring, EPDM (ethylene propylene diene monomer rubber) |
| Frit | PE (polyethylene) |
| Height adjustment | short plungers, short/long plunger, long plungers (see table) |
| Connections | 1/4"-28G female screw thread |

Solvent resistant (SR) - version

| | |
|-------------------|--|
| Temperature range | 16 - 40 °C |
| Plunger | PTFE (polytetrafluorethylene) |
| Sealing | PTFE triple chevrons |
| Frit | ID 5 - 15 mm: sintered glass ID 25 - 50 mm: stainless steel |
| Height adjustment | short plungers, short/long plunger, long plungers (see table) |
| Connections | 1/4"-28G female screw thread |

Bed length / Volume

| ID [mm] | Pressure limit [bar] | short plungers | | short/long plunger | | long plungers | |
|------------|----------------------------|--------------------|----------------|--------------------|----------------|--------------------|----------------|
| | | Bed length [mm] | Volume [ml] | Bed length [mm] | Volume [ml] | Bed length [mm] | Volume [ml] |
| 5 | AB = 80 SR = 80 | 30 - 125 | 0.6 - 2.4 | 0 - 125 | 0 - 2.4 | 0 - 125 | 0 - 2.4 |
| | | 150 - 250 | 3.0 - 4.9 | 70 - 250 | 1.4 - 4.9 | 0 - 250 | 0 - 4.9 |
| | | 400 - 500 | 7.9 - 9.8 | 320 - 500 | 6.3 - 9.8 | 240 - 500 | 4.8 - 9.8 |
| 10 | AB = 80 SR = 50 | 40 - 125 | 3.2 - 9.8 | 0 - 125 | 0 - 9.8 | 0 - 125 | 0 - 9.8 |
| | | 160 - 250 | 13 - 19 | 80 - 250 | 6.2 - 19 | 0 - 250 | 0 - 19 |
| | | 410 - 500 | 33 - 39 | 330 - 500 | 26 - 39 | 250 - 500 | 20 - 39 |
| 15 | AB = 70 SR = 50 | 30 - 125 | 6 - 22 | 0 - 125 | 0 - 22 | 0 - 125 | 0 - 22 |
| | | 155 - 250 | 28 - 44 | 75 - 250 | 14 - 44 | 0 - 250 | 0 - 44 |
| | | 405 - 500 | 72 - 88 | 325 - 500 | 58 - 88 | 245 - 500 | 44 - 88 |
| 25 | AB = 50 SR = 50 | 30 - 125 | 15 - 60 | 0 - 125 | 0 - 60 | 0 - 125 | 0 - 60 |
| | | 160 - 250 | 80 - 120 | 80 - 250 | 40 - 120 | 0 - 250 | 0 - 120 |
| | | 410 - 500 | 205 - 245 | 330 - 500 | 165 - 245 | 250 - 500 | 125 - 245 |
| 35 | AB = 40 SR = 40 | 35 - 125 | 35 - 120 | 0 - 125 | 0 - 120 | 0 - 125 | 0 - 120 |
| | | 160 - 250 | 155 - 240 | 80 - 250 | 80 - 240 | 0 - 250 | 0 - 240 |
| | | 410 - 500 | 395 - 480 | 330 - 500 | 320 - 480 | 250 - 500 | 245 - 480 |
| 50 | AB = 30 SR = 15 | 40 - 125 | 80 - 245 | 0 - 125 | 0 - 245 | 0 - 125 | 0 - 245 |
| | | 170 - 250 | 335 - 490 | 90 - 250 | 180 - 490 | 0 - 250 | 0 - 490 |
| | | 415 - 500 | 815 - 980 | 340 - 500 | 670 - 980 | 255 - 500 | 500 - 980 |

ECO^{PLUS} series glass columns, AB-version, short plungers

| | |
|-------------------|--|
| Temperature range | 4 - 40 °C |
| Plunger | PE (polyethylene) |
| Sealing | O-ring, EPDM |
| Frit | ID 5 - 50 mm: polyethylene (10 µm or 5 µm) |
| Height adjustment | short plungers |



| | Part No. | ID [mm] | Pressure limit [bar] | Bed length [mm] | Volume [ml] | Frit material | Frit porosity [µm] | Price [¥] |
|----------|-------------------|------------|----------------------------|-----------------------|----------------|------------------|--------------------------|--------------|
| 5 mm ID | TAC05/125PE0-AB-3 | 5 | 80 | 30 - 125 | 0.6 - 2.4 | Polyethylene | 10 | 118,000 |
| | TAC05/250PE0-AB-3 | 5 | 80 | 150 - 250 | 3.0 - 4.9 | Polyethylene | 10 | 138,000 |
| | TAC05/500PE0-AB-3 | 5 | 80 | 400 - 500 | 7.9 - 9.8 | Polyethylene | 10 | 158,000 |
| | TAC05/125PE5-AB-3 | 5 | 80 | 30 - 125 | 0.6 - 2.4 | Polyethylene | 5 | 115,000 |
| | TAC05/250PE5-AB-3 | 5 | 80 | 150 - 250 | 3.0 - 4.9 | Polyethylene | 5 | 138,000 |
| | TAC05/500PE5-AB-3 | 5 | 80 | 400 - 500 | 7.9 - 9.8 | Polyethylene | 5 | 158,000 |
| 10 mm ID | TAC10/125PE0-AB-2 | 10 | 80 | 40 - 125 | 3.2 - 9.8 | Polyethylene | 10 | 143,000 |
| | TAC10/250PE0-AB-2 | 10 | 80 | 160 - 250 | 13 - 19 | Polyethylene | 10 | 155,000 |
| | TAC10/500PE0-AB-2 | 10 | 80 | 410 - 500 | 33 - 39 | Polyethylene | 10 | 168,000 |
| | TAC10/125PE5-AB-2 | 10 | 80 | 40 - 125 | 3.2 - 9.8 | Polyethylene | 5 | 143,000 |
| | TAC10/250PE5-AB-2 | 10 | 80 | 160 - 250 | 13 - 19 | Polyethylene | 5 | 155,000 |
| | TAC10/500PE5-AB-2 | 10 | 80 | 410 - 500 | 33 - 39 | Polyethylene | 5 | 168,000 |
| 15 mm ID | TAC15/125PE0-AB-2 | 15 | 70 | 30 - 125 | 6 - 22 | Polyethylene | 10 | 176,000 |
| | TAC15/250PE0-AB-2 | 15 | 70 | 155 - 250 | 28 - 44 | Polyethylene | 10 | 194,000 |
| | TAC15/500PE0-AB-2 | 15 | 70 | 405 - 500 | 72 - 88 | Polyethylene | 10 | 216,000 |
| | TAC15/125PE5-AB-2 | 15 | 70 | 30 - 125 | 6 - 22 | Polyethylene | 5 | 176,000 |
| | TAC15/250PE5-AB-2 | 15 | 70 | 155 - 250 | 28 - 44 | Polyethylene | 5 | 194,000 |
| | TAC15/500PE5-AB-2 | 15 | 70 | 405 - 500 | 72 - 88 | Polyethylene | 5 | 216,000 |
| 25 mm ID | TAC25/125PE0-AB-2 | 25 | 50 | 30 - 125 | 15 - 60 | Polyethylene | 10 | 197,000 |
| | TAC25/250PE0-AB-2 | 25 | 50 | 160 - 250 | 80 - 120 | Polyethylene | 10 | 204,000 |
| | TAC25/500PE0-AB-2 | 25 | 50 | 410 - 500 | 205 - 245 | Polyethylene | 10 | 223,000 |
| | TAC25/125PE5-AB-2 | 25 | 50 | 30 - 125 | 15 - 60 | Polyethylene | 5 | 197,000 |
| | TAC25/250PE5-AB-2 | 25 | 50 | 160 - 250 | 80 - 120 | Polyethylene | 5 | 204,000 |
| | TAC25/500PE5-AB-2 | 25 | 50 | 410 - 500 | 205 - 245 | Polyethylene | 5 | 223,000 |
| 35 mm ID | TAC35/125PE0-AB-2 | 35 | 40 | 35 - 125 | 35 - 120 | Polyethylene | 10 | 220,000 |
| | TAC35/250PE0-AB-2 | 35 | 40 | 160 - 250 | 155 - 240 | Polyethylene | 10 | 230,000 |
| | TAC35/500PE0-AB-2 | 35 | 40 | 410 - 500 | 395 - 480 | Polyethylene | 10 | 243,000 |
| | TAC35/125PE5-AB-2 | 35 | 40 | 35 - 125 | 35 - 120 | Polyethylene | 5 | 220,000 |
| | TAC35/250PE5-AB-2 | 35 | 40 | 160 - 250 | 155 - 240 | Polyethylene | 5 | 230,000 |
| | TAC35/500PE5-AB-2 | 35 | 40 | 410 - 500 | 395 - 480 | Polyethylene | 5 | 243,000 |
| 50 mm ID | TAC50/125PE0-AB-2 | 50 | 30 | 40 - 125 | 80 - 245 | Polyethylene | 10 | 240,000 |
| | TAC50/250PE0-AB-2 | 50 | 30 | 170 - 250 | 335 - 490 | Polyethylene | 10 | 261,000 |
| | TAC50/500PE0-AB-2 | 50 | 30 | 415 - 500 | 815 - 980 | Polyethylene | 10 | 274,000 |
| | TAC50/125PE5-AB-2 | 50 | 30 | 40 - 125 | 80 - 245 | Polyethylene | 5 | 240,000 |
| | TAC50/250PE5-AB-2 | 50 | 30 | 170 - 250 | 335 - 490 | Polyethylene | 5 | 261,000 |
| | TAC50/500PE5-AB-2 | 50 | 30 | 415 - 500 | 815 - 980 | Polyethylene | 5 | 274,000 |

ECO^{PLUS} series glass columns, AB-version, short/long plunger

| | |
|-------------------|--|
| Temperature range | 4 - 40 °C |
| Plunger | PE (polyethylene) |
| Sealing | O-ring, EPDM |
| Frit | ID 5 - 50 mm: polyethylene (10 µm or 5 µm) |
| Height adjustment | short / long plunger |



| | Part No. | ID [mm] | Pressure limit [bar] | Bed length [mm] | Volume [ml] | Frit material | Frit porosity [µm] | Price [¥] |
|----------|---------------------|---------|----------------------|-----------------|-------------|---------------|--------------------|-----------|
| 5 mm ID | TAC05/125SLPE0-AB-3 | 5 | 80 | 0 - 125 | 0 - 2.4 | Polyethylen | 10 | 123,000 |
| | TAC05/250SLPE0-AB-3 | 5 | 80 | 70 - 250 | 1.4 - 4.9 | Polyethylen | 10 | 150,000 |
| | TAC05/500SLPE0-AB-3 | 5 | 80 | 320 - 500 | 6.3 - 9.8 | Polyethylen | 10 | 172,000 |
| | TAC05/125SLPE5-AB-3 | 5 | 80 | 0 - 125 | 0 - 2.4 | Polyethylen | 5 | 123,000 |
| | TAC05/250SLPE5-AB-3 | 5 | 80 | 70 - 250 | 1.4 - 4.9 | Polyethylen | 5 | 150,000 |
| | TAC05/500SLPE5-AB-3 | 5 | 80 | 320 - 500 | 6.3 - 9.8 | Polyethylen | 5 | 172,000 |
| 10 mm ID | TAC10/125SLPE0-AB-2 | 10 | 80 | 0 - 125 | 0 - 9.8 | Polyethylen | 10 | 151,000 |
| | TAC10/250SLPE0-AB-2 | 10 | 80 | 80 - 250 | 6.2 - 19 | Polyethylen | 10 | 162,000 |
| | TAC10/500SLPE0-AB-2 | 10 | 80 | 330 - 500 | 26 - 39 | Polyethylen | 10 | 179,000 |
| | TAC10/125SLPE5-AB-2 | 10 | 80 | 0 - 125 | 0 - 9.8 | Polyethylen | 5 | 151,000 |
| | TAC10/250SLPE5-AB-2 | 10 | 80 | 80 - 250 | 6.2 - 19 | Polyethylen | 5 | 162,000 |
| | TAC10/500SLPE5-AB-2 | 10 | 80 | 330 - 500 | 26 - 39 | Polyethylen | 5 | 179,000 |
| 15 mm ID | TAC15/125SLPE0-AB-2 | 15 | 70 | 0 - 125 | 0 - 22 | Polyethylen | 10 | 187,000 |
| | TAC15/250SLPE0-AB-2 | 15 | 70 | 75 - 250 | 14 - 44 | Polyethylen | 10 | 200,000 |
| | TAC15/500SLPE0-AB-2 | 15 | 70 | 325 - 500 | 58 - 88 | Polyethylen | 10 | 222,000 |
| | TAC15/125SLPE5-AB-2 | 15 | 70 | 0 - 125 | 0 - 22 | Polyethylen | 5 | 187,000 |
| | TAC15/250SLPE5-AB-2 | 15 | 70 | 75 - 250 | 14 - 44 | Polyethylen | 5 | 200,000 |
| | TAC15/500SLPE5-AB-2 | 15 | 70 | 325 - 500 | 58 - 88 | Polyethylen | 5 | 222,000 |
| 25 mm ID | TAC25/125SLPE0-AB-2 | 25 | 50 | 0 - 125 | 0 - 60 | Polyethylen | 10 | 207,000 |
| | TAC25/250SLPE0-AB-2 | 25 | 50 | 80 - 250 | 40 - 120 | Polyethylen | 10 | 215,000 |
| | TAC25/500SLPE0-AB-2 | 25 | 50 | 330 - 500 | 165 - 245 | Polyethylen | 10 | 233,000 |
| | TAC25/125SLPE5-AB-2 | 25 | 50 | 0 - 125 | 0 - 60 | Polyethylen | 5 | 207,000 |
| | TAC25/250SLPE5-AB-2 | 25 | 50 | 80 - 250 | 40 - 120 | Polyethylen | 5 | 215,000 |
| | TAC25/500SLPE5-AB-2 | 25 | 50 | 330 - 500 | 165 - 245 | Polyethylen | 5 | 233,000 |
| 35 mm ID | TAC35/125SLPE0-AB-2 | 35 | 40 | 0 - 125 | 0 - 120 | Polyethylen | 10 | 237,000 |
| | TAC35/250SLPE0-AB-2 | 35 | 40 | 80 - 250 | 80 - 240 | Polyethylen | 10 | 237,000 |
| | TAC35/500SLPE0-AB-2 | 35 | 40 | 330 - 500 | 320 - 480 | Polyethylen | 10 | 220,000 |
| | TAC35/125SLPE5-AB-2 | 35 | 40 | 0 - 125 | 0 - 120 | Polyethylen | 5 | 237,000 |
| | TAC35/250SLPE5-AB-2 | 35 | 40 | 80 - 250 | 80 - 240 | Polyethylen | 5 | 237,000 |
| | TAC35/500SLPE5-AB-2 | 35 | 40 | 330 - 500 | 320 - 480 | Polyethylen | 5 | 220,000 |
| 50 mm ID | TAC50/125SLPE0-AB-2 | 50 | 30 | 0 - 125 | 0 - 245 | Polyethylen | 10 | 245,000 |
| | TAC50/250SLPE0-AB-2 | 50 | 30 | 90 - 250 | 180 - 490 | Polyethylen | 10 | 269,000 |
| | TAC50/500SLPE0-AB-2 | 50 | 30 | 340 - 500 | 670 - 980 | Polyethylen | 10 | 287,000 |
| | TAC50/125SLPE5-AB-2 | 50 | 30 | 0 - 125 | 0 - 245 | Polyethylen | 5 | 245,000 |
| | TAC50/250SLPE5-AB-2 | 50 | 30 | 90 - 250 | 180 - 490 | Polyethylen | 5 | 269,000 |
| | TAC50/500SLPE5-AB-2 | 50 | 30 | 340 - 500 | 670 - 980 | Polyethylen | 5 | 287,000 |

ECO^{PLUS} series glass columns, AB-version, long plungers

| | |
|-------------------|--|
| Temperature range | 4 - 40 °C |
| Plunger | PE (polyethylene) |
| Sealing | O-ring, EPDM |
| Frit | ID 5 - 50 mm: polyethylene (10 µm or 5 µm) |
| Height adjustment | long plungers |



| | Part No. | ID [mm] | Pressure limit [bar] | Bed length [mm] | Volume [ml] | Frit material | Frit porosity [µm] | Price [¥] |
|----------|--------------------|------------|----------------------------|-----------------------|----------------|------------------|--------------------------|--------------|
| 5 mm ID | TAC05/125LPE0-AB-3 | 5 | 80 | 0 - 125 | 0 - 2.4 | Polyethylene | 10 | 131,000 |
| | TAC05/250LPE0-AB-3 | 5 | 80 | 0 - 250 | 0 - 4.9 | Polyethylene | 10 | 158,000 |
| | TAC05/500LPE0-AB-3 | 5 | 80 | 240 - 500 | 4.8 - 9.8 | Polyethylene | 10 | 179,000 |
| | TAC05/125LPE5-AB-3 | 5 | 80 | 0 - 125 | 0 - 2.4 | Polyethylene | 5 | 131,000 |
| | TAC05/250LPE5-AB-3 | 5 | 80 | 0 - 250 | 0 - 4.9 | Polyethylene | 5 | 158,000 |
| | TAC05/500LPE5-AB-3 | 5 | 80 | 240 - 500 | 4.8 - 9.8 | Polyethylene | 5 | 179,000 |
| 10 mm ID | TAC10/125LPE0-AB-2 | 10 | 80 | 0 - 125 | 0 - 9.8 | Polyethylene | 10 | 159,000 |
| | TAC10/250LPE0-AB-2 | 10 | 80 | 0 - 250 | 0 - 19 | Polyethylene | 10 | 171,000 |
| | TAC10/500LPE0-AB-2 | 10 | 80 | 250 - 500 | 20 - 39 | Polyethylene | 10 | 187,000 |
| | TAC10/125LPE5-AB-2 | 10 | 80 | 0 - 125 | 0 - 9.8 | Polyethylene | 5 | 159,000 |
| | TAC10/250LPE5-AB-2 | 10 | 80 | 0 - 250 | 0 - 19 | Polyethylene | 5 | 171,000 |
| | TAC10/500LPE5-AB-2 | 10 | 80 | 250 - 500 | 20 - 39 | Polyethylene | 5 | 187,000 |
| 15 mm ID | TAC15/125LPE0-AB-2 | 15 | 70 | 0 - 125 | 0 - 22 | Polyethylene | 10 | 196,000 |
| | TAC15/250LPE0-AB-2 | 15 | 70 | 0 - 250 | 0 - 44 | Polyethylene | 10 | 211,000 |
| | TAC15/500LPE0-AB-2 | 15 | 70 | 245 - 500 | 44 - 88 | Polyethylene | 10 | 231,000 |
| | TAC15/125LPE5-AB-2 | 15 | 70 | 0 - 125 | 0 - 22 | Polyethylene | 5 | 196,000 |
| | TAC15/250LPE5-AB-2 | 15 | 70 | 0 - 250 | 0 - 44 | Polyethylene | 5 | 211,000 |
| | TAC15/500LPE5-AB-2 | 15 | 70 | 245 - 500 | 44 - 88 | Polyethylene | 5 | 231,000 |
| 25 mm ID | TAC25/125LPE0-AB-2 | 25 | 50 | 0 - 125 | 0 - 60 | Polyethylene | 10 | 216,000 |
| | TAC25/250LPE0-AB-2 | 25 | 50 | 0 - 250 | 0 - 120 | Polyethylene | 10 | 222,000 |
| | TAC25/500LPE0-AB-2 | 25 | 50 | 250 - 500 | 125 - 245 | Polyethylene | 10 | 243,000 |
| | TAC25/125LPE5-AB-2 | 25 | 50 | 0 - 125 | 0 - 60 | Polyethylene | 5 | 216,000 |
| | TAC25/250LPE5-AB-2 | 25 | 50 | 0 - 250 | 0 - 120 | Polyethylene | 5 | 222,000 |
| | TAC25/500LPE5-AB-2 | 25 | 50 | 250 - 500 | 125 - 245 | Polyethylene | 5 | 243,000 |
| 35 mm ID | TAC35/125LPE0-AB-2 | 35 | 40 | 0 - 125 | 0 - 120 | Polyethylene | 10 | 237,000 |
| | TAC35/250LPE0-AB-2 | 35 | 40 | 0 - 250 | 0 - 240 | Polyethylene | 10 | 243,000 |
| | TAC35/500LPE0-AB-2 | 35 | 40 | 250 - 500 | 245 - 480 | Polyethylene | 10 | 254,000 |
| | TAC35/125LPE5-AB-2 | 35 | 40 | 0 - 125 | 0 - 120 | Polyethylene | 5 | 237,000 |
| | TAC35/250LPE5-AB-2 | 35 | 40 | 0 - 250 | 0 - 240 | Polyethylene | 5 | 243,000 |
| | TAC35/500LPE5-AB-2 | 35 | 40 | 250 - 500 | 245 - 480 | Polyethylene | 5 | 254,000 |
| 50 mm ID | TAC50/125LPE0-AB-2 | 50 | 30 | 0 - 125 | 0 - 245 | Polyethylene | 10 | 258,000 |
| | TAC50/250LPE0-AB-2 | 50 | 30 | 0 - 250 | 0 - 490 | Polyethylene | 10 | 278,000 |
| | TAC50/500LPE0-AB-2 | 50 | 30 | 255 - 500 | 500 - 980 | Polyethylene | 10 | 298,000 |
| | TAC50/125LPE5-AB-2 | 50 | 30 | 0 - 125 | 0 - 245 | Polyethylene | 5 | 258,000 |
| | TAC50/250LPE5-AB-2 | 50 | 30 | 0 - 250 | 0 - 490 | Polyethylene | 5 | 278,000 |
| | TAC50/500LPE5-AB-2 | 50 | 30 | 255 - 500 | 500 - 980 | Polyethylene | 5 | 298,000 |

ECO^{PLUS} series glass columns, SR-version, short plungers

| | |
|-------------------|---|
| Temperature range | 16 - 40 °C |
| Plunger | PTFE |
| Sealing | PTFE triple chevrons |
| Frit | ID 5 - 15 mm: sintered glass (10 µm or 2 µm) ID 25 - 50 mm:s stainless steel (10 µm or 2 µm) |
| Height adjustment | short plungers |



| | Part No. | ID [mm] | Pressure limit [bar] | Bed length [mm] | Volume [ml] | Frit material | Frit porosity [µm] | Price [¥] |
|----------|-------------------|------------|----------------------------|-----------------------|----------------|------------------|--------------------------|--------------|
| 5 mm ID | TAC05/125G0-SR-3 | 5 | 80 | 30 - 125 | 0.6 - 2.4 | Sintered glass | 10 | 121,000 |
| | TAC05/250G0-SR-3 | 5 | 80 | 150 - 250 | 3.0 - 4.9 | Sintered glass | 10 | 146,000 |
| | TAC05/500G0-SR-3 | 5 | 80 | 400 - 500 | 7.9 - 9.8 | Sintered glass | 10 | 164,000 |
| | TAC05/125G2-SR-3 | 5 | 80 | 30 - 125 | 0.6 - 2.4 | Sintered glass | 2 | 121,000 |
| | TAC05/250G2-SR-3 | 5 | 80 | 150 - 250 | 3.0 - 4.9 | Sintered glass | 2 | 146,000 |
| | TAC05/500G2-SR-3 | 5 | 80 | 400 - 500 | 7.9 - 9.8 | Sintered glass | 2 | 164,000 |
| 10 mm ID | TAC10/125G0-SR-2 | 10 | 50 | 40 - 125 | 3.2 - 9.8 | Sintered glass | 10 | 150,000 |
| | TAC10/250G0-SR-2 | 10 | 50 | 160 - 250 | 13 - 19 | Sintered glass | 10 | 161,000 |
| | TAC10/500G0-SR-2 | 10 | 50 | 410 - 500 | 33 - 39 | Sintered glass | 10 | 179,000 |
| | TAC10/125G2-SR-2 | 10 | 50 | 40 - 125 | 3.2 - 9.8 | Sintered glass | 2 | 150,000 |
| | TAC10/250G2-SR-2 | 10 | 50 | 160 - 250 | 13 - 19 | Sintered glass | 2 | 161,000 |
| | TAC10/500G2-SR-2 | 10 | 50 | 410 - 500 | 33 - 39 | Sintered glass | 2 | 179,000 |
| 15 mm ID | TAC15/125G0-SR-2 | 15 | 50 | 30 - 125 | 6 - 22 | Sintered glass | 10 | 189,000 |
| | TAC15/250G0-SR-2 | 15 | 50 | 155 - 250 | 28 - 44 | Sintered glass | 10 | 193,000 |
| | TAC15/500G0-SR-2 | 15 | 50 | 405 - 500 | 72 - 88 | Sintered glass | 10 | 219,000 |
| | TAC15/125G2-SR-2 | 15 | 50 | 30 - 125 | 6 - 22 | Sintered glass | 2 | 189,000 |
| | TAC15/250G2-SR-2 | 15 | 50 | 155 - 250 | 28 - 44 | Sintered glass | 2 | 193,000 |
| | TAC15/500G2-SR-2 | 15 | 50 | 405 - 500 | 72 - 88 | Sintered glass | 2 | 219,000 |
| 25 mm ID | TAC25/125S0-SR-2 | 25 | 50 | 30 - 125 | 15 - 60 | Stainless steel | 10 | 199,000 |
| | TAC25/250S0-SR-2 | 25 | 50 | 160 - 250 | 80 - 120 | Stainless steel | 10 | 211,000 |
| | TAC25/500S0-SR-2 | 25 | 50 | 410 - 500 | 205 - 245 | Stainless steel | 10 | 234,000 |
| | TAC25/125S2-SR-2 | 25 | 50 | 30 - 125 | 15 - 60 | Stainless steel | 2 | 199,000 |
| | TAC25/250S2-SR-2 | 25 | 50 | 160 - 250 | 80 - 120 | Stainless steel | 2 | 211,000 |
| | TAC25/500S2-SR-2 | 25 | 50 | 410 - 500 | 205 - 245 | Stainless steel | 2 | 234,000 |
| 35 mm ID | TAC35/125S0-SR-2 | 35 | 40 | 35 - 125 | 35 - 120 | Stainless steel | 10 | 231,000 |
| | TAC35/250S0-SR-2 | 35 | 40 | 160 - 250 | 155 - 240 | Stainless steel | 10 | 242,000 |
| | TAC35/500S0-SR-2 | 35 | 40 | 410 - 500 | 395 - 480 | Stainless steel | 10 | 252,000 |
| | TAC35/125S2-SR-2 | 35 | 40 | 35 - 125 | 35 - 120 | Stainless steel | 2 | 231,000 |
| | TAC35/250S2-SR-2 | 35 | 40 | 160 - 250 | 155 - 240 | Stainless steel | 2 | 242,000 |
| | TAC35/500S2-SR-2 | 35 | 40 | 410 - 500 | 395 - 480 | Stainless steel | 2 | 252,000 |
| 50 mm ID | TAC50/125S0-SR-NK | 50 | 15 | 40 - 125 | 80 - 245 | Stainless steel | 10 | 310,000 |
| | TAC50/250S0-SR-NK | 50 | 15 | 170 - 250 | 335 - 490 | Stainless steel | 10 | 333,000 |
| | TAC50/500S0-SR-NK | 50 | 15 | 415 - 500 | 815 - 980 | Stainless steel | 10 | 378,000 |
| | TAC50/125S2-SR-NK | 50 | 15 | 40 - 125 | 80 - 245 | Stainless steel | 2 | 310,000 |
| | TAC50/250S2-SR-NK | 50 | 15 | 170 - 250 | 335 - 490 | Stainless steel | 2 | 333,000 |
| | TAC50/500S2-SR-NK | 50 | 15 | 415 - 500 | 815 - 980 | Stainless steel | 2 | 378,000 |

ECO^{PLUS} series glass columns, SR-version, short/long plunger

| | |
|-------------------|--|
| Temperature range | 16 - 40 °C |
| Plunger | PTFE |
| Sealing | PTFE triple chevrons |
| Frit | ID 5 - 15 mm: sintered glass (10 µm or 2 µm) ID 25 - 50 mm: stainless steel (10 µm or 2 µm) |
| Height adjustment | short / long plunger |



| | Part No. | ID [mm] | Pressure limit [bar] | Bed length [mm] | Volume [ml] | Frit material | Frit porosity [µm] | Price [¥] |
|----------|---------------------|------------|----------------------------|-----------------------|----------------|------------------|--------------------------|--------------|
| 5 mm ID | TAC05/125SLG0-SR-3 | 5 | 80 | 0 - 125 | 0 - 2.4 | Sintered glass | 10 | 129,000 |
| | TAC05/250SLG0-SR-3 | 5 | 80 | 70 - 250 | 1.4 - 4.9 | Sintered glass | 10 | 157,000 |
| | TAC05/500SLG0-SR-3 | 5 | 80 | 320 - 500 | 6.3 - 9.8 | Sintered glass | 10 | 178,000 |
| | TAC05/125SLG2-SR-3 | 5 | 80 | 0 - 125 | 0 - 2.4 | Sintered glass | 2 | 129,000 |
| | TAC05/250SLG2-SR-3 | 5 | 80 | 70 - 250 | 1.4 - 4.9 | Sintered glass | 2 | 157,000 |
| | TAC05/500SLG2-SR-3 | 5 | 80 | 320 - 500 | 6.3 - 9.8 | Sintered glass | 2 | 178,000 |
| 10 mm ID | TAC10/125SLG0-SR-2 | 10 | 50 | 0 - 125 | 0 - 9.8 | Sintered glass | 10 | 159,000 |
| | TAC10/250SLG0-SR-2 | 10 | 50 | 80 - 250 | 6.2 - 19 | Sintered glass | 10 | 170,000 |
| | TAC10/500SLG0-SR-2 | 10 | 50 | 330 - 500 | 26 - 39 | Sintered glass | 10 | 189,000 |
| | TAC10/125SLG2-SR-2 | 10 | 50 | 0 - 125 | 0 - 9.8 | Sintered glass | 2 | 159,000 |
| | TAC10/250SLG2-SR-2 | 10 | 50 | 80 - 250 | 6.2 - 19 | Sintered glass | 2 | 170,000 |
| | TAC10/500SLG2-SR-2 | 10 | 50 | 330 - 500 | 26 - 39 | Sintered glass | 2 | 189,000 |
| 15 mm ID | TAC15/125SLG0-SR-2 | 15 | 50 | 0 - 125 | 0 - 22 | Sintered glass | 10 | 196,000 |
| | TAC15/250SLG0-SR-2 | 15 | 50 | 75 - 250 | 14 - 44 | Sintered glass | 10 | 210,000 |
| | TAC15/500SLG0-SR-2 | 15 | 50 | 325 - 500 | 58 - 88 | Sintered glass | 10 | 231,000 |
| | TAC15/125SLG2-SR-2 | 15 | 50 | 0 - 125 | 0 - 22 | Sintered glass | 2 | 196,000 |
| | TAC15/250SLG2-SR-2 | 15 | 50 | 75 - 250 | 14 - 44 | Sintered glass | 2 | 210,000 |
| | TAC15/500SLG2-SR-2 | 15 | 50 | 325 - 500 | 58 - 88 | Sintered glass | 2 | 231,000 |
| 25 mm ID | TAC25/125SLS0-SR-2 | 25 | 50 | 0 - 125 | 0 - 60 | Stainless steel | 10 | 211,000 |
| | TAC25/250SLS0-SR-2 | 25 | 50 | 80 - 250 | 40 - 120 | Stainless steel | 10 | 226,000 |
| | TAC25/500SLS0-SR-2 | 25 | 50 | 330 - 500 | 165 - 245 | Stainless steel | 10 | 245,000 |
| | TAC25/125SLS2-SR-2 | 25 | 50 | 0 - 125 | 0 - 60 | Stainless steel | 2 | 211,000 |
| | TAC25/250SLS2-SR-2 | 25 | 50 | 80 - 250 | 40 - 120 | Stainless steel | 2 | 226,000 |
| | TAC25/500SLS2-SR-2 | 25 | 50 | 330 - 500 | 165 - 245 | Stainless steel | 2 | 245,000 |
| 35 mm ID | TAC35/125SLS0-SR-2 | 35 | 40 | 0 - 125 | 0 - 120 | Stainless steel | 10 | 234,000 |
| | TAC35/250SLS0-SR-2 | 35 | 40 | 80 - 250 | 80 - 240 | Stainless steel | 10 | 245,000 |
| | TAC35/500SLS0-SR-2 | 35 | 40 | 330 - 500 | 320 - 480 | Stainless steel | 10 | 259,000 |
| | TAC35/125SLS2-SR-2 | 35 | 40 | 0 - 125 | 0 - 120 | Stainless steel | 2 | 234,000 |
| | TAC35/250SLS2-SR-2 | 35 | 40 | 80 - 250 | 80 - 240 | Stainless steel | 2 | 245,000 |
| | TAC35/500SLS2-SR-2 | 35 | 40 | 330 - 500 | 320 - 480 | Stainless steel | 2 | 259,000 |
| 50 mm ID | TAC50/125SLS0-SR-NK | 50 | 15 | 0 - 125 | 0 - 245 | Stainless steel | 10 | 325,000 |
| | TAC50/250SLS0-SR-NK | 50 | 15 | 90 - 250 | 180 - 490 | Stainless steel | 10 | 341,000 |
| | TAC50/500SLS0-SR-NK | 50 | 15 | 340 - 500 | 670 - 980 | Stainless steel | 10 | 386,000 |
| | TAC50/125SLS2-SR-NK | 50 | 15 | 0 - 125 | 0 - 245 | Stainless steel | 2 | 325,000 |
| | TAC50/250SLS2-SR-NK | 50 | 15 | 90 - 250 | 180 - 490 | Stainless steel | 2 | 341,000 |
| | TAC50/500SLS2-SR-NK | 50 | 15 | 340 - 500 | 670 - 980 | Stainless steel | 2 | 386,000 |

ECO^{PLUS} series glass columns, SR-version, long plungers

| | |
|-------------------|--|
| Temperature range | 16 - 40 °C |
| Plunger | PTFE |
| Sealing | PTFE triple chevrons |
| Frit | ID 5 - 15 mm: sintered glass (10 µm or 2 µm) ID 25 - 50 mm: stainless steel (10 µm or 2 µm) |
| Height adjustment | long plungers |



| | Part No. | ID [mm] | Pressure limit [bar] | Bed length [mm] | Volume [ml] | Frit material | Frit porosity [µm] | Price [¥] |
|----------|--------------------|------------|----------------------------|-----------------------|----------------|------------------|--------------------------|--------------|
| 5 mm ID | TAC05/125LG0-SR-3 | 5 | 80 | 0 - 125 | 0 - 2.4 | Sintered glass | 10 | 137,000 |
| | TAC05/250LG0-SR-3 | 5 | 80 | 0 - 250 | 0 - 4.9 | Sintered glass | 10 | 166,000 |
| | TAC05/500LG0-SR-3 | 5 | 80 | 240 - 500 | 4.8 - 9.8 | Sintered glass | 10 | 186,000 |
| | TAC05/125LG2-SR-3 | 5 | 80 | 0 - 125 | 0 - 2.4 | Sintered glass | 2 | 137,000 |
| | TAC05/250LG2-SR-3 | 5 | 80 | 0 - 250 | 0 - 4.9 | Sintered glass | 2 | 166,000 |
| | TAC05/500LG2-SR-3 | 5 | 80 | 240 - 500 | 4.8 - 9.8 | Sintered glass | 2 | 186,000 |
| 10 mm ID | TAC10/125LG0-SR-2 | 10 | 50 | 0 - 125 | 0 - 9.8 | Sintered glass | 10 | 167,000 |
| | TAC10/250LG0-SR-2 | 10 | 50 | 0 - 250 | 0 - 19 | Sintered glass | 10 | 179,000 |
| | TAC10/500LG0-SR-2 | 10 | 50 | 250 - 500 | 20 - 39 | Sintered glass | 10 | 189,000 |
| | TAC10/125LG2-SR-2 | 10 | 50 | 0 - 125 | 0 - 9.8 | Sintered glass | 2 | 167,000 |
| | TAC10/250LG2-SR-2 | 10 | 50 | 0 - 250 | 0 - 19 | Sintered glass | 2 | 179,000 |
| | TAC10/500LG2-SR-2 | 10 | 50 | 250 - 500 | 20 - 39 | Sintered glass | 2 | 189,000 |
| 15 mm ID | TAC15/125LG0-SR-2 | 15 | 50 | 0 - 125 | 0 - 22 | Sintered glass | 10 | 206,000 |
| | TAC15/250LG0-SR-2 | 15 | 50 | 0 - 250 | 0 - 44 | Sintered glass | 10 | 220,000 |
| | TAC15/500LG0-SR-2 | 15 | 50 | 245 - 500 | 44 - 88 | Sintered glass | 10 | 242,000 |
| | TAC15/125LG2-SR-2 | 15 | 50 | 0 - 125 | 0 - 22 | Sintered glass | 2 | 206,000 |
| | TAC15/250LG2-SR-2 | 15 | 50 | 0 - 250 | 0 - 44 | Sintered glass | 2 | 220,000 |
| | TAC15/500LG2-SR-2 | 15 | 50 | 245 - 500 | 44 - 88 | Sintered glass | 2 | 242,000 |
| 25 mm ID | TAC25/125LS0-SR-2 | 25 | 50 | 0 - 125 | 0 - 60 | Stainless steel | 10 | 217,000 |
| | TAC25/250LS0-SR-2 | 25 | 50 | 0 - 250 | 0 - 120 | Stainless steel | 10 | 234,000 |
| | TAC25/500LS0-SR-2 | 25 | 50 | 250 - 500 | 125 - 245 | Stainless steel | 10 | 255,000 |
| | TAC25/125LS2-SR-2 | 25 | 50 | 0 - 125 | 0 - 60 | Stainless steel | 2 | 217,000 |
| | TAC25/250LS2-SR-2 | 25 | 50 | 0 - 250 | 0 - 120 | Stainless steel | 2 | 234,000 |
| | TAC25/500LS2-SR-2 | 25 | 50 | 250 - 500 | 125 - 245 | Stainless steel | 2 | 255,000 |
| 35 mm ID | TAC35/125LS0-SR-2 | 35 | 40 | 0 - 125 | 0 - 120 | Stainless steel | 10 | 253,000 |
| | TAC35/250LS0-SR-2 | 35 | 40 | 0 - 250 | 0 - 240 | Stainless steel | 10 | 261,000 |
| | TAC35/500LS0-SR-2 | 35 | 40 | 250 - 500 | 245 - 480 | Stainless steel | 10 | 275,000 |
| | TAC35/125LS2-SR-2 | 35 | 40 | 0 - 125 | 0 - 120 | Stainless steel | 2 | 253,000 |
| | TAC35/250LS2-SR-2 | 35 | 40 | 0 - 250 | 0 - 240 | Stainless steel | 2 | 261,000 |
| | TAC35/500LS2-SR-2 | 35 | 40 | 250 - 500 | 245 - 480 | Stainless steel | 2 | 275,000 |
| 50 mm ID | TAC50/125LS0-SR-NK | 50 | 15 | 0 - 125 | 0 - 245 | Stainless steel | 10 | 333,000 |
| | TAC50/250LS0-SR-NK | 50 | 15 | 0 - 250 | 0 - 490 | Stainless steel | 10 | 348,000 |
| | TAC50/500LS0-SR-NK | 50 | 15 | 255 - 500 | 500 - 980 | Stainless steel | 10 | 393,000 |
| | TAC50/125LS2-SR-NK | 50 | 15 | 0 - 125 | 0 - 245 | Stainless steel | 2 | 333,000 |
| | TAC50/250LS2-SR-NK | 50 | 15 | 0 - 250 | 0 - 490 | Stainless steel | 2 | 348,000 |
| | TAC50/500LS2-SR-NK | 50 | 15 | 255 - 500 | 500 - 980 | Stainless steel | 2 | 393,000 |

Accessories ECO^{PLUS} series glass columns

Columns supplied with:

| | |
|--------------------|---|
| for ID 5 mm: | 1x 1 m Tefzel tubing 1/16". pre-attached 4x 1/4"-28G nut and ferrule for 1/16" tubing 2x M6 nut and ferrule for 1/16" tubing 2x 10-32 nut/ferrule for 1/16" tubing 2x plugs, PTFE (1/4"-28G) |
| for ID 10 - 15 mm: | 1x 1 m 1/16" FEP tubing (0.8 x 1.6 mm) 4x 1/4"-28G nut and ferrule for 1/16" tubing 2x M6 nut and ferrule for 1/16" tubing 2x 10-32 nut/ferrule for 1/16" tubing 1x frit removal tool 2x plugs, PTFE (1/4"-28G) 2x Anti-kink tube protector |
| for ID 25 - 50 mm: | 1x 1 m 1/8" FEP tubing (1.6 x 3.2 mm) 4x 1/4"-28G nut and 4x ferrule for 1/8" tubing 2x M6 nut and ferrule for 1/8" tubing 1x frit removal tool 2x plugs, PTFE (1/4"-28G) |

Tubing should be connected to the ECO^{PLUS} glass columns with following screws:

for tubing with 1/16" outer diameter:

| | |
|----------------|----------------------------|
| R-55050 | Nut 1/4"-28 G |
| JR-CFL-CB1KF-S | Ferrule, collapsible 1/16" |



for tubing with 1/8" outer diameter:

| | |
|----------------|---------------------------|
| JR-55051 | Nut 1/4"-28 G |
| JR-CFL-CB2KF-S | Ferrule, collapsible 1/8" |



IMPORTANT!

2 Screws with metric threads are also supplied with the accessories packages (K.P207 / K.P200N oder K.P307 / K.P300N). These screws are not suitable for connection to the glass columns as they will damage the thread in the pistons! They are to allow the columns to be connected to pumps, etc. fitted with metric threads.

Packing adaptors for ECO^{PLUS} glass columns

The coupling unit does not include glass body, please order these separately.

These consist of a coupling unit and glass body of same column ID as column to be packed

Coupling units consisting of:

- ECO^{PLUS} coupling unit assembly with PTFE insert
- Counter screw (thread) with retaining ring
- Counter screw (bayonet) with retaining ring
- AB-version with two sets (4 pieces) Viton O-rings
- SR-version with two Kalrez[®] O-rings



The coupler unit is designed for packing procedures which do not require pumped flow (sedimentation). However pumping at low linear flow rates (3 cm/min for 15 µm materials) are possible without leakages.

Coupling units AB-version

| Part No. | for column ID [mm] | Price [¥] |
|------------|-----------------------|--------------|
| TAC05KU-AB | 5 | * |
| TAC10KU-AB | 10 | * |
| TAC15KU-AB | 15 | * |
| TAC25KU-AB | 25 | * |
| TAC35KU-AB | 35 | * |
| TAC50KU-AB | 50 | * |

Coupling units SR-version

| Part No. | for column ID [mm] | Price [¥] |
|------------|-----------------------|--------------|
| TAC05KU-SR | 5 | * |
| TAC10KU-SR | 10 | * |
| TAC15KU-SR | 15 | * |
| TAC25KU-SR | 25 | * |
| TAC35KU-SR | 35 | * |
| TAC50KU-SR | 50 | * |

O-ring (Viton) for coupling units AB-version,
pack of 2

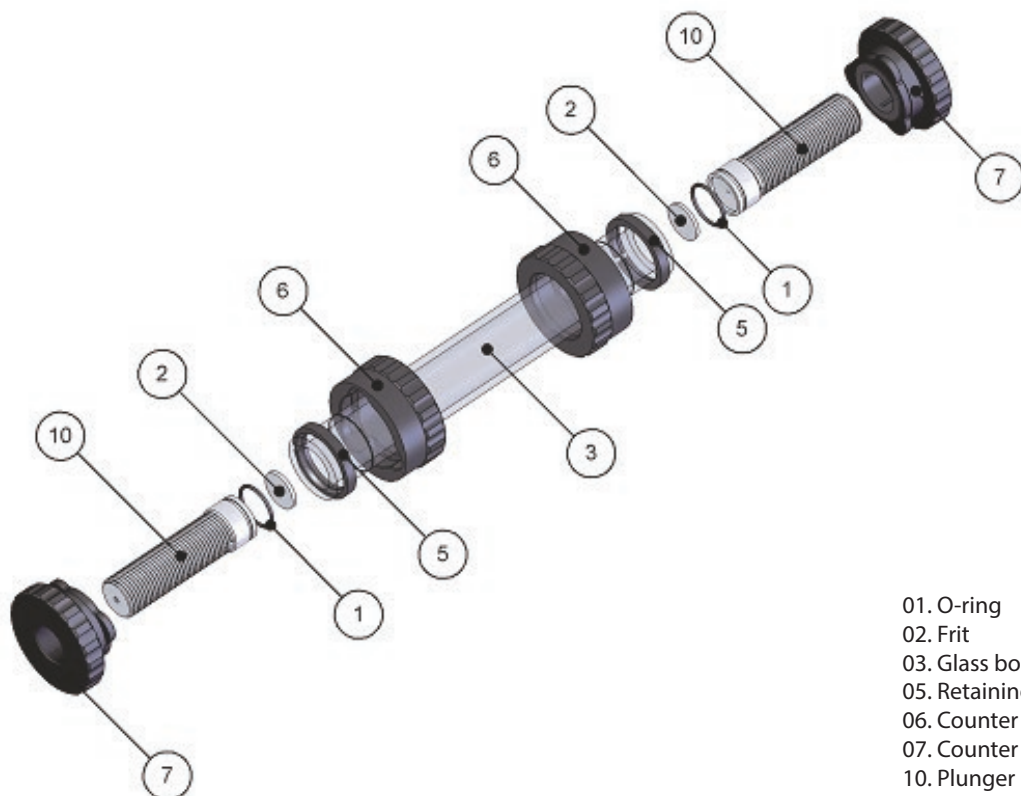
| Part No. | for column ID [mm] | Price [¥] |
|---------------|-----------------------|--------------|
| TAC05KU03V/P2 | 5 | * |
| TAC10KU03V/P2 | 10 | * |
| TAC15KU03V/P2 | 15 | * |
| TAC25KU03V/P2 | 25 | * |
| TAC35KU03V/P2 | 35 | * |
| TAC50KU03V/P2 | 50 | * |

O-ring (Kalrez[®]) for coupling units SR-version,
pack of 2

| Part No. | for column ID [mm] | Price [¥] |
|---------------|-----------------------|--------------|
| TAC05KU03K/P2 | 5 | * |
| TAC10KU03K/P2 | 10 | * |
| TAC15KU03K/P2 | 15 | * |
| TAC25KU03K/P2 | 25 | * |
| TAC35KU03K/P2 | 35 | * |

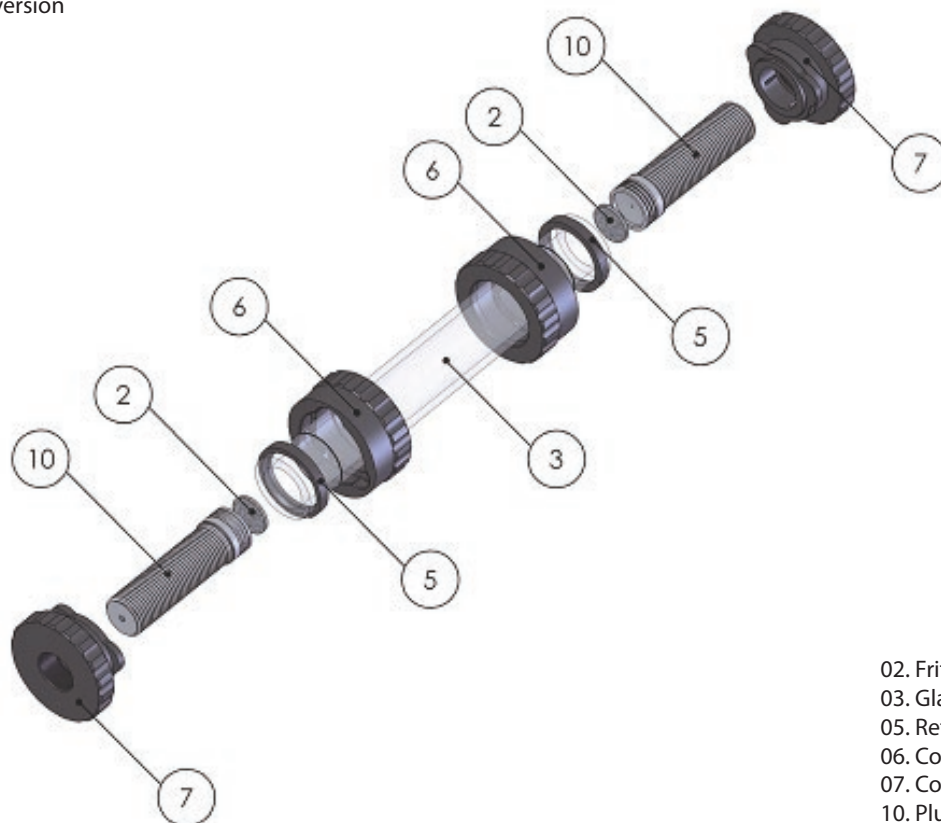
*価格についてはお問合せください。

ECO^{PLUS} AB-version



- 01. O-ring
- 02. Frit
- 03. Glass body
- 05. Retaining ring
- 06. Counter nut
- 07. Counter screw
- 10. Plunger (PE)

ECO^{PLUS} SR-version



- 02. Frit
- 03. Glass body
- 05. Retaining ring
- 06. Counter nut
- 07. Counter screw
- 10. Plunger (PTFE)

Spare parts for ECO^{PLUS} series glass columns

ECO^{PLUS} glass bodies

| Part No. | ID [mm] | max. bed length [mm] | Price [¥] |
|-------------|---------|----------------------|-----------|
| TAC05/125-2 | 5 | 125 | * |
| TAC05/250-2 | 5 | 250 | * |
| TAC05/500-2 | 5 | 500 | * |
| TAC10/125-2 | 10 | 125 | * |
| TAC10/250-2 | 10 | 250 | * |
| TAC10/500-2 | 10 | 500 | * |
| TAC15/125-2 | 15 | 125 | * |
| TAC15/250-2 | 15 | 250 | * |
| TAC15/500-2 | 15 | 500 | * |
| TAC25/125-2 | 25 | 125 | * |
| TAC25/250-2 | 25 | 250 | * |
| TAC25/500-2 | 25 | 500 | * |
| TAC35/125-2 | 35 | 125 | * |
| TAC35/250-2 | 35 | 250 | * |
| TAC35/500-2 | 35 | 500 | * |
| TAC50/125-2 | 50 | 125 | * |
| TAC50/250-2 | 50 | 250 | * |
| TAC50/500-2 | 50 | 500 | * |



Customized length available on request!

Plungers, polyethylene, for AB-version (incl. O-ring, w/o frit)

| Part No. | for column ID [mm] | adj. bed length [mm] | Price [¥] |
|------------------|--------------------|----------------------|-----------|
| Short | | | |
| TAC05/03STS-AB-4 | 5 | | * |
| TAC10/03STS-AB-2 | 10 | | * |
| TAC15/03STS-AB-2 | 15 | see table | * |
| TAC25/03STS-AB-2 | 25 | page 3 | * |
| TAC35/03STS-AB-2 | 35 | | * |
| TAC50/03STS-AB-2 | 50 | | * |
| Long | | | |
| TAC05/03STL-AB-4 | 5 | | * |
| TAC10/03STL-AB-2 | 10 | | * |
| TAC15/03STL-AB-2 | 15 | see table | * |
| TAC25/03STL-AB-2 | 25 | page 3 | * |
| TAC35/03STL-AB-2 | 35 | | * |
| TAC50/03STL-AB-2 | 50 | | * |

ECO^{PLUS} column sealing O-ring, EPDM, for AB-version, pack of 2

| Part No. | ID [mm] | Price [¥] |
|--------------|---------|-----------|
| TAC05/04E/P2 | 5 | * |
| TAC10/04E/P2 | 10 | * |
| TAC15/04E/P2 | 15 | * |
| TAC25/04E/P2 | 25 | * |
| TAC35/04E/P2 | 35 | * |
| TAC50/04E/P2 | 50 | * |

ECO^{PLUS} sealing O-ring, Kalrez[®] white, for SR-Version, pack of 2

| Part No. | ID [mm] | Price [¥] |
|-----------------|---------|-----------|
| TAC50/04K-NK/P2 | 50 | * |

Plungers, PTFE, for SR-version (w/o frit)

| Part No. | for column ID [mm] | adj. bed length [mm] | Price [¥] |
|----------------|--------------------|----------------------|-----------|
| Short | | | |
| TAC05/03STS-4 | 5 | | * |
| TAC10/03STS-3 | 10 | | * |
| TAC15/03STS-3 | 15 | see table | * |
| TAC25/03STS-3 | 25 | page 3 | * |
| TAC35/03STS-3 | 35 | | * |
| TAC50/03STS-NK | 50 | | * |
| Long | | | |
| TAC05/03STL-4 | 5 | | * |
| TAC10/03STL-3 | 10 | | * |
| TAC15/03STL-3 | 15 | see table | * |
| TAC25/03STL-3 | 25 | page 3 | * |
| TAC35/03STL-3 | 35 | | * |
| TAC50/03STL-NK | 50 | | * |

* 価格についてはお問合せください。

Spare parts for ECO^{PLUS} series glass columns

Frits, pack of 2

| Part No. | for column ID [mm] | Porosity [μm] | Price [¥] | Part No. | for column ID [mm] | Porosity [μm] | Price [¥] |
|----------------|--------------------------|------------------|--------------|-----------------|--------------------------|------------------|--------------|
| Polyethylene | | | | Sintered glass | | | |
| TAC05PE10/P2 | 5 | 10 | * | TAC05G10/P2 | 5 | 10 | * |
| TAC05PE5/P2 | 5 | 5 | * | TAC05G2/P2 | 5 | 2 | * |
| TAC10PE10-2/P2 | 10 | 10 | * | TAC10G10-2/P2 | 10 | 10 | * |
| TAC10PE5-2/P2 | 10 | 5 | * | TAC10G2-2/P2 | 10 | 2 | * |
| TAC15PE10-2/P2 | 15 | 10 | * | TAC15G10-2/P2 | 15 | 10 | * |
| TAC15PE5-2/P2 | 15 | 5 | * | TAC15G2-2/P2 | 15 | 2 | * |
| TAC25PE10-2/P2 | 25 | 10 | * | Stainless steel | | | |
| TAC25PE5-2/P2 | 25 | 5 | * | | | | |
| TAC35PE10-2/P2 | 35 | 10 | * | TAC25S10-2/P2 | 25 | 10 | * |
| TAC35PE5-2/P2 | 35 | 5 | * | TAC25S2-2/P2 | 25 | 2 | * |
| TAC50PE10-2/P2 | 50 | 10 | * | TAC35S10-2/P2 | 35 | 10 | * |
| TAC50PE5-2/P2 | 50 | 5 | * | TAC35S2-2/P2 | 35 | 2 | * |
| | | | | TAC50S10-2/P2 | 50 | 10 | * |
| | | | | TAC50S2-2/P2 | 50 | 2 | * |

Additional spare parts

| Part No. | Description | Price [¥] |
|----------|--|-----------|
| FA | Frit removal tool | * |
| K.P316-5 | Plug PTFE (1/4"-28G), pack of 5 | * |
| K.P620-5 | Female connector (both ends threaded 1/4"-28G), pack of 5 | * |
| K.P621-5 | Adaptor 1/4"-28G to M6, pack of 5 | * |
| K.P627 | Adaptor 10-32 to 1/4"-28G (incl. 1 F-300 fitting for 1/16" tubing) | * |

Tubing

| Part No. | Description | Price [¥] |
|---------------|---|-----------|
| PT0.8FE1.6/M5 | FEP tubing, 0.8 x 1.6 mm OD (1/16" OD), pack of 5 metres | * |
| PT1.6FE3.2/M5 | FEP tubing, 1.6 x 3.2 mm OD (1/8" OD), pack of 5 metres | * |
| JR-T-082-M3 | Tefzel tubing, 0.5 x 1.6 mm OD (1/16" OD), pack of 3 metres | * |

* 価格についてはお問合せください。

Spare parts for ECO^{PLUS} series glass columns

Fittings (nuts and ferrules)

| Part No. | Description | Price [¥] |
|-----------------|---|-----------|
| JR-55050-10 | Nut, 1/4"-28, PPS, for collapsible ferrule for 1/16" tubing, pack of 10 | * |
| JR-CFL-CB1KF | Ferrule, collapsible, for 1/16" tubing, pack of 10 | * |
| K.P201X | Nut 1/4"-28G for 1/16" tubing, pack of 10 | * |
| K.P200NX | Flangeless ferrule for 1/16" tubing, pack of 10 | * |
| K.P207X | M6 nut for 1/16" tubing, pack of 10 | * |
| JR-55051-10 | FNut, 1/4"-28, PPS, for collapsible ferrule for 1/8" tubing, pack of 10 | * |
| JR-CFL-CB2KF-10 | Ferrule, collapsible, for 1/8" tubing, pack of 10 | * |
| K.P301X | Nut 1/4"-28G for 1/8" tubing, pack of 10 | * |
| K.P300NX | Ferrule for 1/8" tubing, pack of 10 | * |
| K.P307X | M6 nut, for 1/8" tubing, pack of 10 | * |

| Part No. | Description | Price [¥] |
|------------|--|-----------|
| JR-58000-5 | 10-32 nut/ferrule (one-piece-fitting) for 1/16" tubing (pack of 5) | * |

Additional spare parts are available on request.

* 価格についてはお問合せください。

仕様は予告なく変更することがあります。

価格は2019年2月現在の国内販売のための製品価格です。 価格には消費税は含みません。

YMC 株式会社ワイエムシイ

お問い合わせ先: 営業本部

京都 / 〒600-8106 京都市下京区五条通烏丸西入醍醐町284 YMC烏丸五条ビル4F

TEL.(075)342-4503 FAX.(075)342-4530

東京 / 〒108-0014 東京都港区芝5丁目29番20号 クロスオフィス三田601号室

TEL.(03)5439-9790 FAX.(03)5439-9791

URL <http://www.ymc.co.jp>